
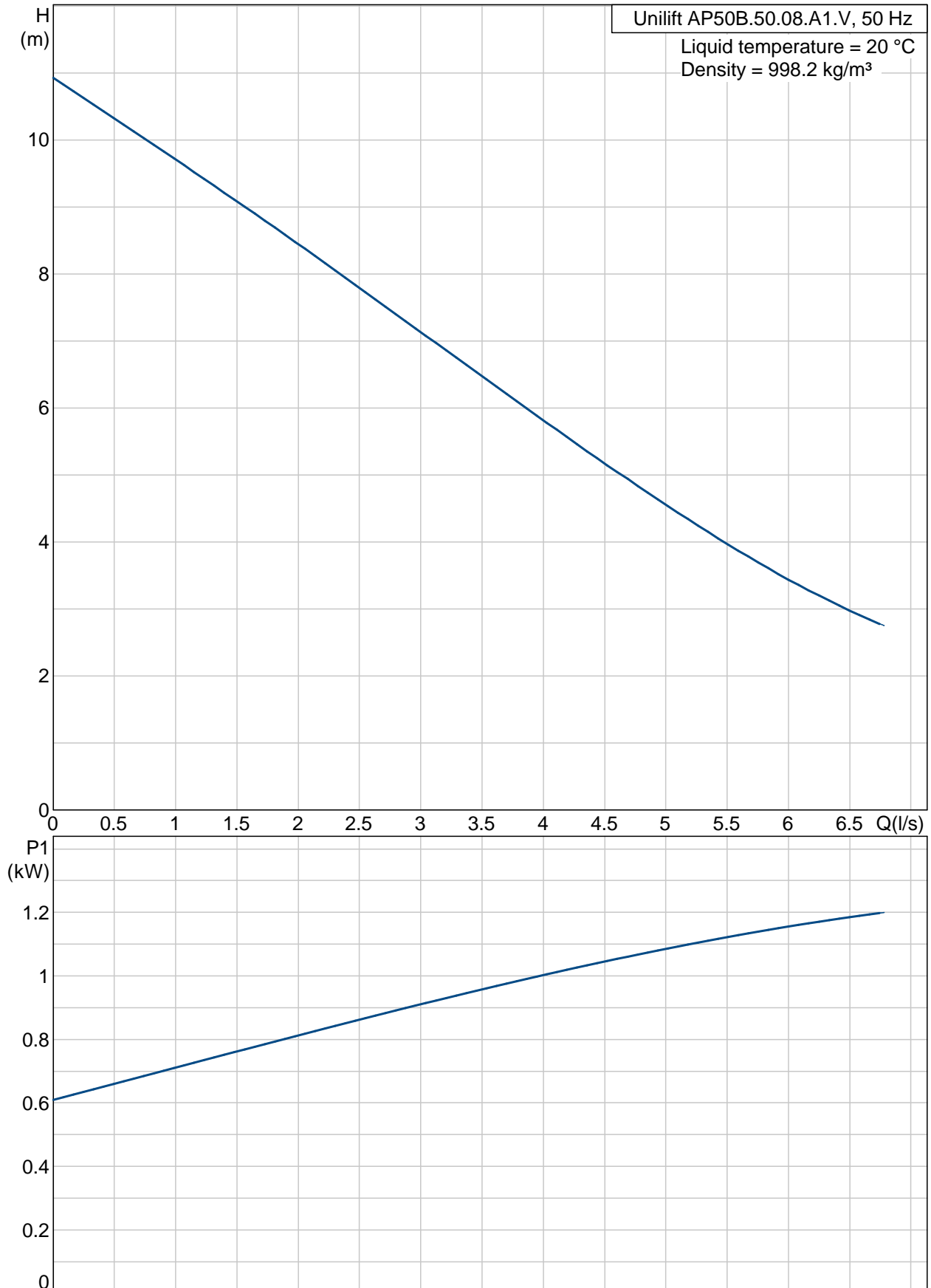


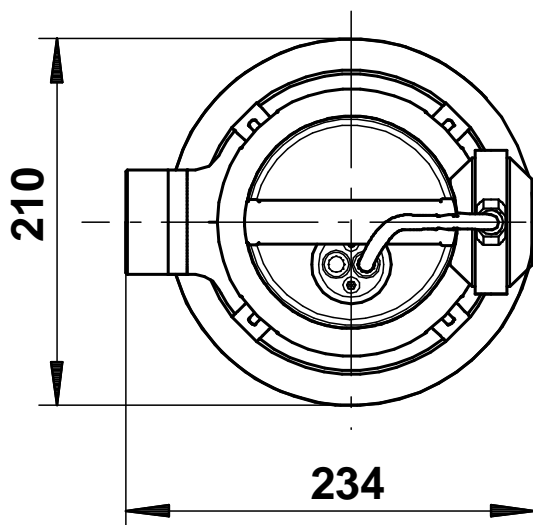
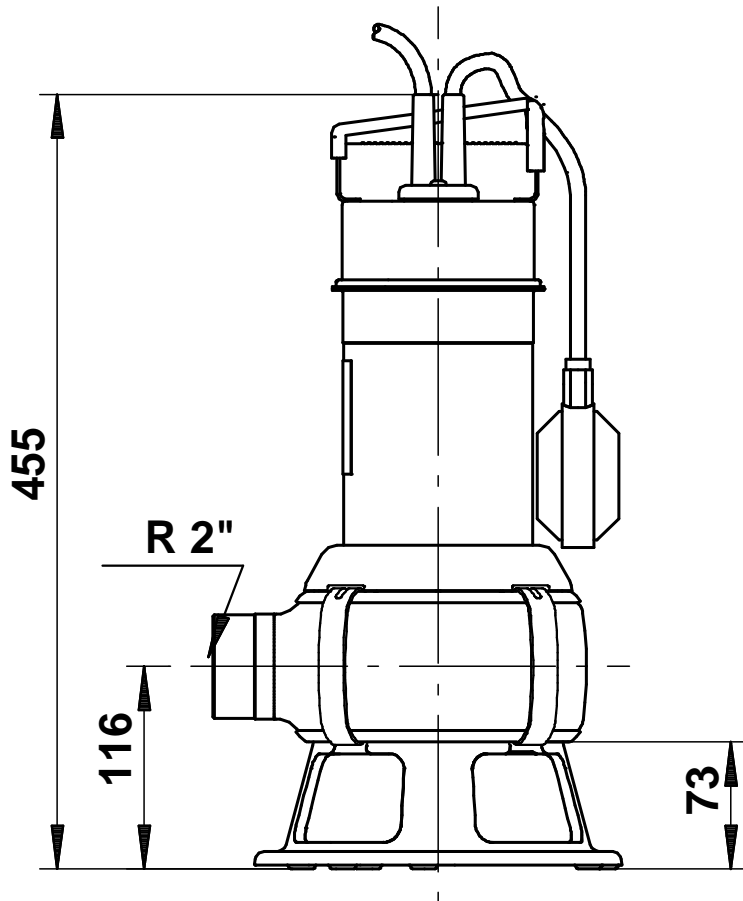
Position	Qty.	Description	Single Price
	1	<p data-bbox="296 342 579 369">Unilift AP50B.50.08.A1.V</p>  <p data-bbox="683 768 1220 795">Note! Product picture may differ from actual product</p> <p data-bbox="296 824 588 880">Product No.: 96004586 Submersible effluent pump</p> <p data-bbox="296 909 817 992">Vertical single-stage stainless steel submersible pump with integrated submersible 1-phase motor.</p> <p data-bbox="296 1023 798 1137">The pump is fitted with ring stand and carrying handle and is supplied with a 5 mm mains cable and a level switch for automatic start and stop.</p> <p data-bbox="296 1167 775 1279">The impeller is a VORTEX impeller for 50 mm free passage suitable for pumping surface water, groundwater, wastewater and similar.</p> <p data-bbox="296 1310 821 1393">The pump has a double shaft seal and an intermediate oil chamber pre-filled with non-toxic special oil.</p> <p data-bbox="296 1424 834 1507">The motor is insulation class F with thermal overload protection and has long-life deep-groove greased-for-life ball bearings.</p> <p data-bbox="296 1538 762 1621">The pump has R 2" discharge port and is ready for installation either free-standing or on an auto-coupling system.</p> <p data-bbox="296 1682 379 1709">Liquid:</p> <p data-bbox="296 1713 791 1796">Maximum liquid temperature: 40 °C Liquid temp: 20 °C Density: 998.2 kg/m³</p> <p data-bbox="296 1825 419 1852">Technical:</p> <p data-bbox="296 1856 762 1939">Resulting head of the pump: 6.83 m Type of impeller: VORTEX Maximum particle size: 50 mm</p> <p data-bbox="296 1971 411 1998">Materials:</p> <p data-bbox="296 2002 861 2085">Pump housing: Stainless steel DIN W.-Nr. 1.4301 AISI 304</p>	Price on request

Position	Qty.	Description	Single Price
		<p>Impeller: Stainless steel DIN W.-Nr. 1.4301 AISI 304</p> <p>Installation: Pump outlet: R 2" Maximum installation depth: 7 m</p> <p>Electrical data: Type of motor: PSC Power input - P1: 1.2 kW Mains frequency: 50 Hz Rated voltage: 1 x 230 V Rated current: 5.37 A Cos phi - power factor: 0,97 Rated speed: 2790 rpm Capacitor size - run: 16 µF/400 V Enclosure class (IEC 34-5): 68 Insulation class (IEC 85): F Length of cable: 5 m Type of cable plug: SCHUKO</p> <p>Others: Net weight: 10.9 kg</p>	

96004586 Unilift AP50B.50.08.A1.V 50 Hz



96004586 Unilift AP50B.50.08.A1.V 50 Hz



Note! All units are in [mm] unless others are stated.
Disclaimer: This simplified dimensional drawing does not show all details.