
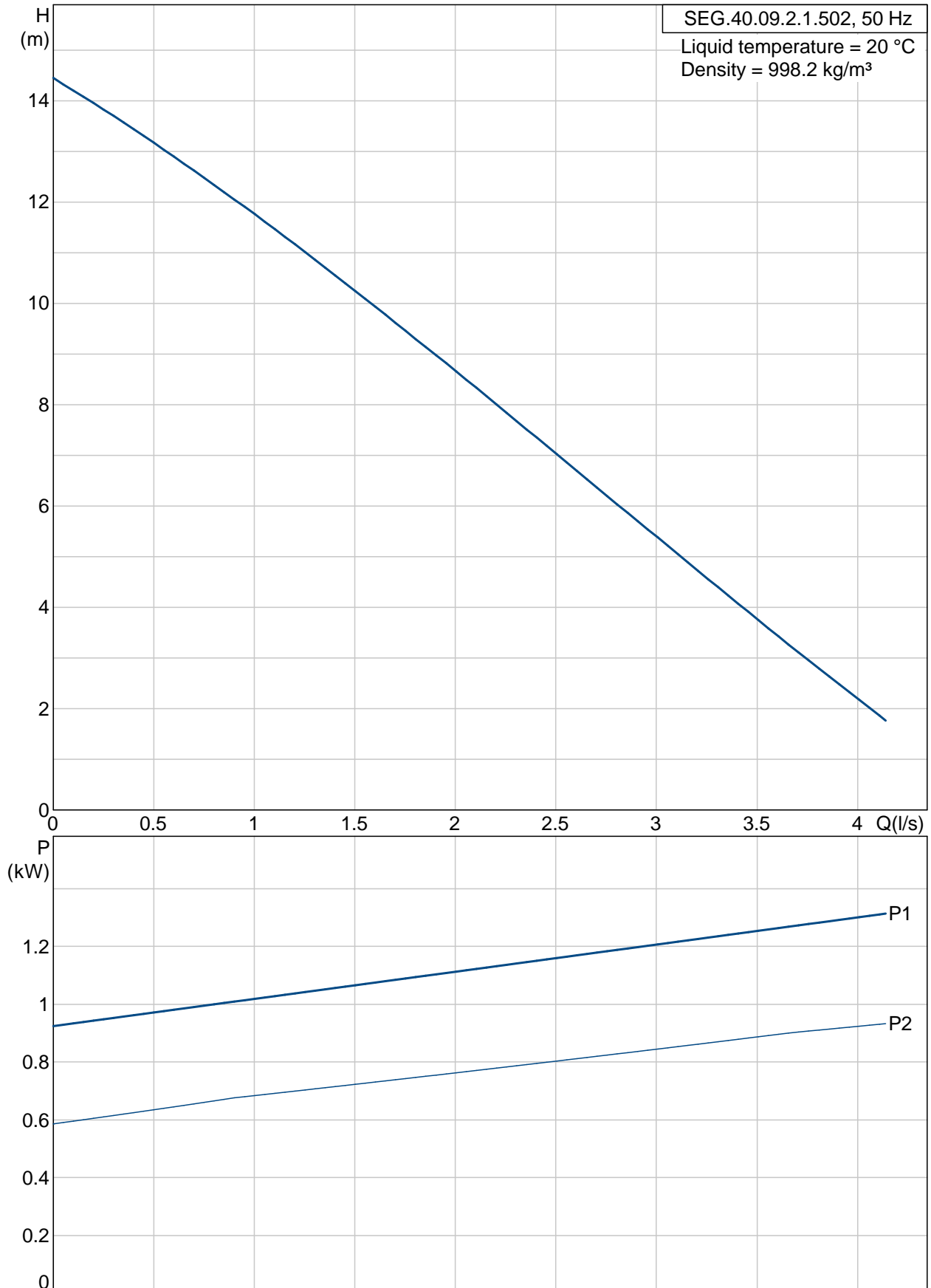


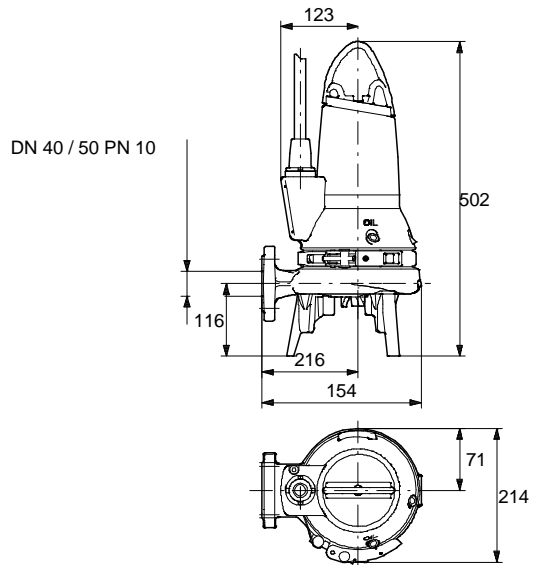
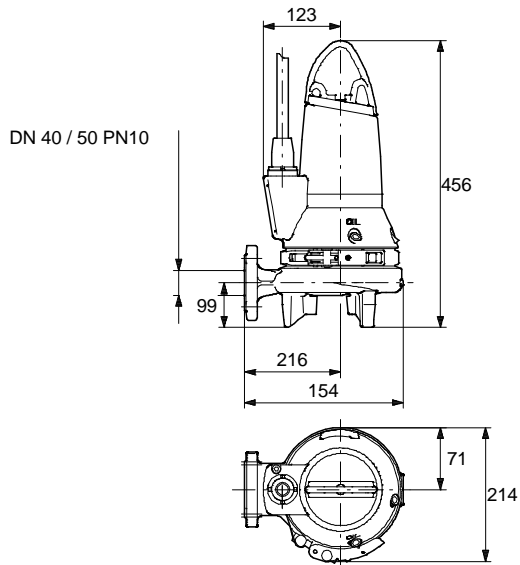
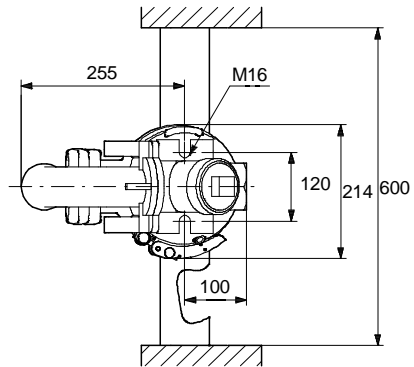
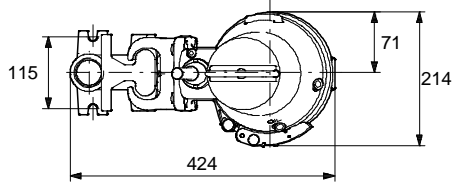
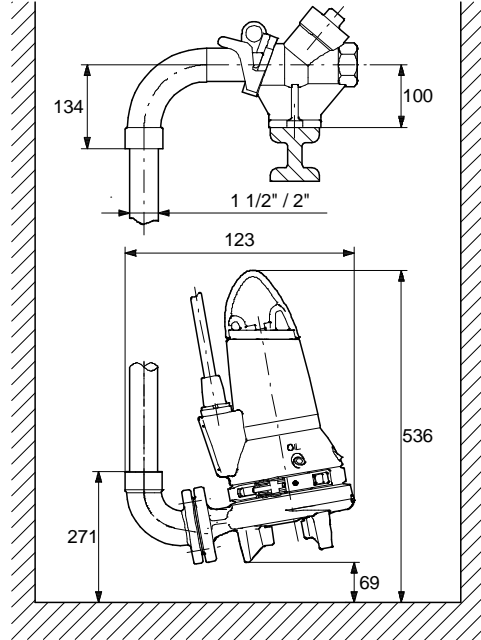
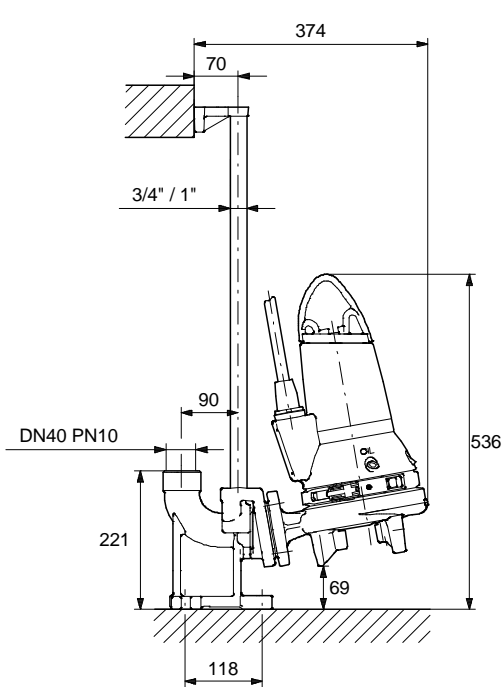
Position	Qty.	Description	Single Price
	1	<p data-bbox="296 340 507 367"><b>SEG.40.09.2.1.502</b></p>  <p data-bbox="684 678 1220 705"><b>Note! Product picture may differ from actual product</b></p> <p data-bbox="296 734 549 761">Product No.: 96075893</p> <p data-bbox="296 790 1251 902">Grundfos SEG pumps are submersible pumps with horizontal discharge port, specifically designed for pressurized pumping of wastewater with discharge from toilets. The SEG pumps are equipped with a grinder system, grinding destructible solids into small pieces so that they can be led away through pipes of a relatively small diameter.</p> <p data-bbox="296 931 1198 987">The surface of the pump is smooth to prevent dirt and impurities from sticking to the pump.</p> <p data-bbox="296 990 1267 1070">The pump is primarily made of cast iron. The clamp securing the motor to the pump housing is made of stainless steel to prevent corrosion and allow for ease of service of the pump.</p> <p data-bbox="296 1072 1260 1128">The power cable of the pump also incorporates wires for the thermal sensors in the motor winding.</p> <p data-bbox="296 1131 1251 1211">The cable connection is a plug solution. The totally sealed plug connection prevents moisture from entering the pump through the cable in case of cable breakage or adverse and/or careless handling of the pump cable.</p> <p data-bbox="296 1240 954 1267">The pump must be connected to a control box or a controller.</p> <p data-bbox="296 1296 683 1323">The pump has been tested by VDE.</p> <p data-bbox="296 1352 405 1379"><b>Controls:</b></p> <p data-bbox="296 1382 932 1408">Moisture sensor: without moisture sensors</p> <p data-bbox="296 1438 379 1464"><b>Liquid:</b></p> <p data-bbox="296 1467 762 1494">Liquid temperature range: 0 .. 40 °C</p> <p data-bbox="296 1496 724 1523">Liquid temp: 20 °C</p> <p data-bbox="296 1525 791 1552">Density: 998.2 kg/m<sup>3</sup></p> <p data-bbox="296 1581 418 1608"><b>Technical:</b></p> <p data-bbox="296 1610 737 1637">Resulting head of the pump: 8.76 m</p> <p data-bbox="296 1639 877 1666">Type of impeller: GRINDER SYSTEM</p> <p data-bbox="296 1668 750 1695">Primary shaft seal: SIC/SIC</p> <p data-bbox="296 1697 718 1724">Maximum operating pressure: 6 bar</p> <p data-bbox="296 1727 708 1753">Approvals on nameplate: PA-I</p> <p data-bbox="296 1783 411 1809"><b>Materials:</b></p> <p data-bbox="296 1812 785 1868">Pump housing: Cast iron EN-JL1030</p> <p data-bbox="296 1870 785 1926">Impeller: Cast iron EN-JL1030</p> <p data-bbox="296 1928 750 1955">Gasket: SIC/SIC</p> <p data-bbox="296 1984 434 2011"><b>Installation:</b></p> <p data-bbox="296 2013 724 2040">Maximum ambient temperature: 40 °C</p> <p data-bbox="296 2042 718 2069">Maximum operating pressure: 6 bar</p> <p data-bbox="296 2072 702 2098">Flange standard: DIN</p>	Price on request

Position	Qty.	Description	Single Price
		Pump outlet: DN 40 Pressure stage: PN 10 Maximum installation depth: 10 m  <b>Electrical data:</b> Number of poles: 2 Power input - P1: 1.4 kW Rated power - P2: 0.9 kW Mains frequency: 50 Hz Rated voltage: 1 x 230 V Voltage tolerance: +6/-10 % Start. method: direct-on-line Max starts per. hour: 30 Rated current: 6.2 A Starting current: 38 A Rated current at no load: 2.9 A Cos phi - power factor: 0,99 Cos phi - p.f. at 3/4 load: 0,98 Cos phi - p.f. at 1/2 load: 0,94 Rated speed: 2890 rpm Moment of inertia: 0.0036 kg m <sup>2</sup> Motor efficiency at full load: 71 % Motor efficiency at 3/4 load: 67 % Motor efficiency at 1/2 load: 58 % Capacitor size - run: 30 µF Capacitor size - start: 150 µF Enclosure class (IEC 34-5): 68 Insulation class (IEC 85): F Length of cable: 10 m Cable type: H07RN-F Type of cable plug: No plug  Others: Net weight: 38 kg	

## 96075893 SEG.40.09.2.1.502 50 Hz



## 96075893 SEG.40.09.2.1.502 50 Hz



Note! All units are in [mm] unless others are stated.  
Disclaimer: This simplified dimensional drawing does not show all details.