
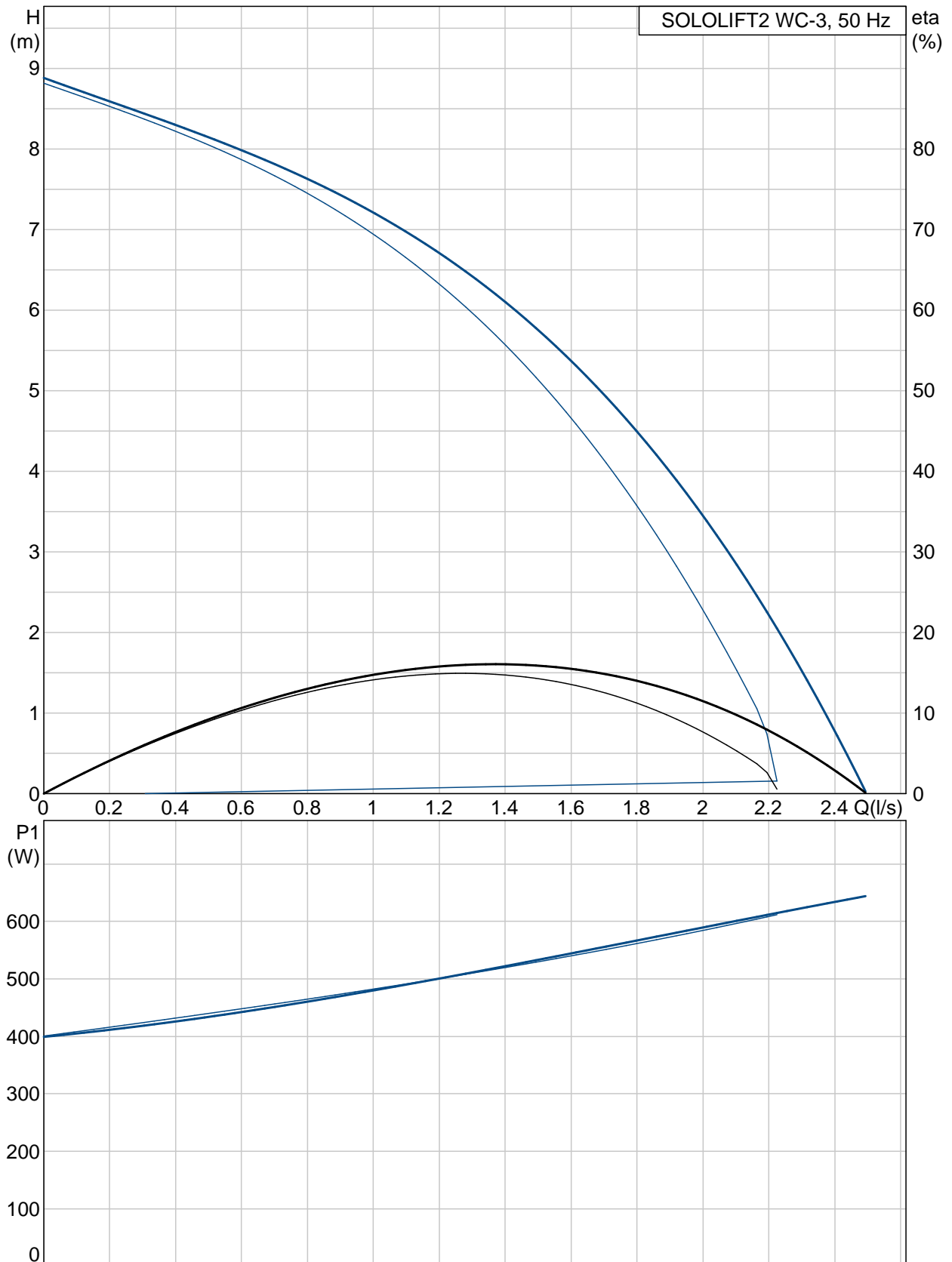


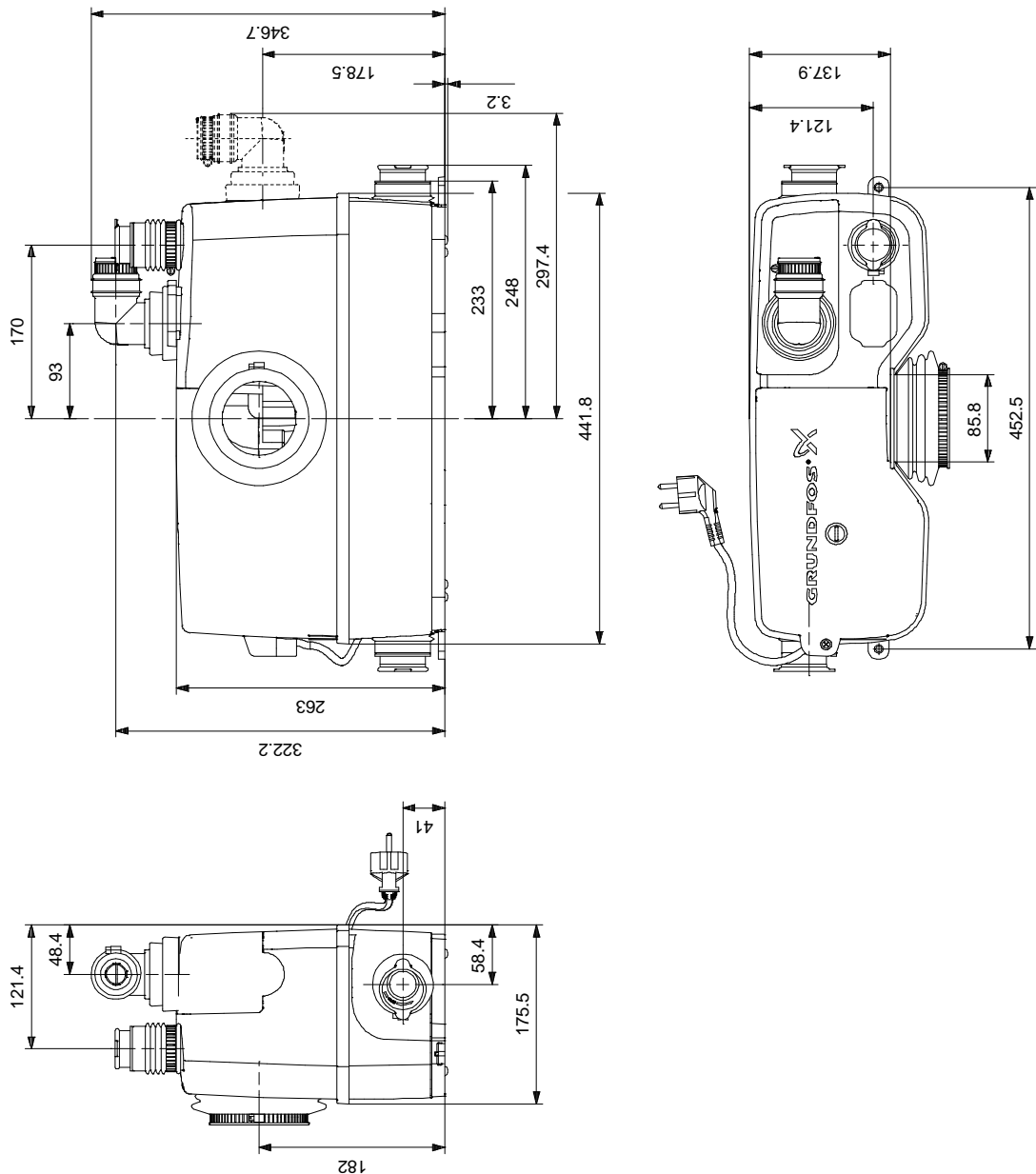
Position	Qty.	Description	Single Price
	-1	<p data-bbox="336 338 539 362"><b>SOLOLIFT2 WC-3</b></p> <div data-bbox="336 371 716 792" style="border: 1px solid black; padding: 5px; text-align: center;">  </div> <p data-bbox="722 768 1257 792"><b>Note! Product picture may differ from actual product</b></p> <p data-bbox="336 824 587 848">Product No.: 97775315</p> <p data-bbox="336 882 1286 963">Sololift2 WC-3 is a small, compact automatic lifting station suitable for pumping of wastewater off places in private dwellings where wastewater cannot be led directly to the sewer by means of a natural downward slope.</p> <p data-bbox="336 994 1299 1072">Sololift2 WC-3 is suitable for pumping wastewater from a toilet containing toilet paper and faeces with additional connections on the lid and to the sides of the tank for e.g. washbasin, shower or bidet.</p> <p data-bbox="336 1104 1283 1160">The pumping of liquids containing other material may cause faults and limit the scope of guarantee.</p> <p data-bbox="336 1189 828 1214"><b>Sololift2 WC-3 is typically used to dewater:</b></p> <ul data-bbox="336 1223 1291 1384" style="list-style-type: none"> <li>• toilet, washbasin, shower and bidet in basements below sewer level, in connection with the renovation or modernisation of existing buildings, where the location may be remote from the main soil pipe so that a natural slope cannot be established.</li> </ul> <p data-bbox="336 1332 1291 1384">Extremely low switching levels for lowest construction heights, advantageously in case of connection of a shower receptor.</p> <p data-bbox="336 1415 799 1440">The compact lifting station is equipped with</p> <ul data-bbox="371 1447 1299 1783" style="list-style-type: none"> <li>- Cable with or without plug (see technical data)</li> <li>- Horizontal or vertical fastening possibility of discharge hose connector with several adaptors for pipes with Ø22-40mm</li> </ul> <p data-bbox="336 1529 635 1554">-Integrated non return valve</p> <ul data-bbox="371 1561 1291 1783" style="list-style-type: none"> <li>- Dry and high performance motor unit incl. thermal protection, pressure switch and controller</li> <li>- DN100 toilet connection hose</li> <li>- Two flexible connectors for inlet (adjustable in height) of pipes Ø36 or 40</li> <li>- Slot for an alarm board with buzzer (accessory)</li> <li>- Manual anti clogging function and separate drain connection for service</li> <li>- Venting valve with overflow protection</li> <li>- Uplift fixation clips</li> </ul> <p data-bbox="336 1814 1230 1892">Design according to EN12050-3 and production inspection by external institute with unique features focused on quick installation, long lasting operation and easy clean service.</p> <p data-bbox="336 1953 416 1977"><b>Liquid:</b></p> <p data-bbox="336 1984 759 2009">Maximum liquid temperature: 50 °C</p>	On request

Position	Qty.	Description	Single Price
		<p><b>Technical:</b>  Approvals on nameplate: CE</p> <p><b>Installation:</b>  Pump inlet: 32/36/40, 36/40/50, DN 100  Pump outlet: 22/25/28/32/36/40  Number of leads: 3X0,75MM2</p> <p><b>Electrical data:</b>  Power input - P1: 0.62 kW  Mains frequency: 50 Hz  Rated voltage: 1 x 220-240 V  Rated current: 3 A  Cos phi - power factor: 0,92  Rated speed: 2800 rpm  Enclosure class (IEC 34-5): 24  Insulation class (IEC 85): F  Length of cable: 1.2 m  Cable type: H05VV-F  Type of cable plug: TYPE F (SCHUKO)</p> <p><b>Others:</b>  Net weight: 7.3 kg  Gross weight: 9.3 kg</p>	

## 97775315 SOLOLIFT2 WC-3 50 Hz



## 97775315 SOLOLIFT2 WC-3 50 Hz



Note! All units are in [mm] unless others are stated.  
 Disclaimer: This simplified dimensional drawing does not show all details.